

## Drone-Sky-Hook ARROW Single/Dual Release & Drop for Phantom 4 / Phantom 3 series drones

Model numbers: DSH-SRD2-P4/3, DSH-DRD2-P4/3

## Drone-Sky-Hook ARROW Single/Dual Release & Drop PLUS for Phantom 4 / Phantom 3 series drones

Model numbers: DSH-SRDP2-P4/3, DSH-DRDP2-P4/3



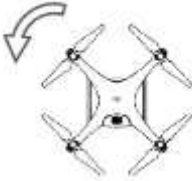
# Quick Operation Guide v1.1

### Controlling the Single Drop Wheel




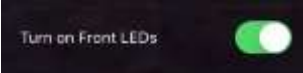
**DSH Models:** Single Release & Drop / Single Release & Drop PLUS

#### Operation Mode 1 – Drone Rotation


Remote Controller (Mode 2) LEFT STICK	Operation
	Quickly Rotate (YAW) the drone two full turns counter clockwise to drop the payload. To set the drop wheel back to its previous position, Quickly Rotate (YAW) the drone again two full turns counter clockwise.
	

#### Operation Mode 2 – Drone Remote Controller C1/C2 Button and/or DJI App

Note: Use the DJI App to assign C1 or C2 button to Turn On/Off front LEDs

Remote Controller C1 / C2 Button	Operation
	Press C1 or C2 twice in quick succession (while maintaining about 0.5-1 second between each press) to drop the payload. To set the drop wheel back to its previous position, again press C1 or C2 twice in quick succession (while maintaining about 0.5-1 second between each press).
DJI App	Operation
Settings – Main Controller Settings – Advanced Settings 	In the App menu switch the drone's front LEDs ON and then OFF or OFF and then ON. (Total of one ON-OFF or OFF-ON cycle) to simulate the operation of the C1 or C2 buttons on the drone's remote controller (see above). Maintain about 0.5-1 second idle duration between each switch operation.

#### Operation Mode 3 – Manual – FUNC button on DSH unit

DSH Release & Drop unit	Operation
	Press twice the device's FUNC button to simulate the operation of the C1 or C2 buttons on the drone's remote controller (see above). Maintain about 0.5-1 second idle duration between each operation of the FUNC button.



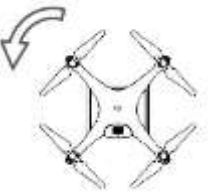
**IMPORTANT NOTE:** At the end of each operation wait 3 seconds for the execution your command and before the initiation of the next command (False Command Avoidance Algorithm (FCAA)).



## Controlling the Dual Drop Wheel



DSH Models: Dual Release & Drop / Dual Release & Drop PLUS

### Operation Mode 1 – Drone Rotation


Remote Controller (Mode 2) LEFT STICK	Operation
	<p>Quickly Rotate (YAW) the drone two full turns counter clockwise to drop the first payload.</p> <p>Quickly Rotate (YAW) the drone again two full turns counter clockwise to drop the second payload.</p> <p>To set the drop wheel back to its previous position, Quickly Rotate (YAW) the drone again two full turns counter clockwise.</p>
	

### Operation Mode 2 – Drone Remote Controller C1/C2 Button and/or DJI App

Note: Use the DJI App to assign C1 or C2 button to Turn On/Off front LEDs

Remote Controller C1 / C2 Button	Operation
	<p>Press C1 or C2 twice in quick succession (while maintaining about 0.5-1 second between each press) to drop the first payload.</p> <p>Press C1 or C2 twice again in quick succession (while maintaining about 0.5-1 second between each press) to drop the second payload.</p> <p>To set the drop wheel back to its previous position, again press C1 or C2 twice in quick succession (while maintaining about 0.5-1 second between each press).</p>
<p>DJI App</p> <p>Settings – Main Controller Settings – Advanced Settings</p> 	<p><b>Operation</b></p> <p>In the App menu switch the drone's front LEDs ON, then OFF and then back ON or OFF, then ON and then OFF. (Total of one ON-OFF-ON or OFF-ON-OFF cycle) to simulate the operation of the C1 or C2 buttons on the drone's remote controller (see above).</p> <p>Maintain about 0.5-1 second idle duration between each switch operation.</p>

### Operation Mode 3 – Manual – FUNC button on DSH unit



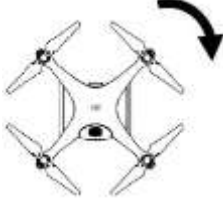
DSH Release & Drop unit	Operation
	<p>Press twice the device's FUNC button to simulate the operation of the C1 or C2 buttons on the drone's remote controller (see above).</p> <p>Maintain about 0.5-1 second idle duration between each operation of the FUNC button.</p>

**IMPORTANT NOTE:** At the end of each operation wait 3 seconds for the execution your command and before the initiation of the next command (False Command Avoidance Algorithm (FCAA)).

## Controlling the AUX Channel (DSH PLUS models only)


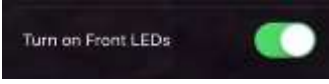
DSH Models: Single Release & Drop PLUS / Dual Release & Drop PLUS

### Operation Mode 1 – Drone Rotation


Remote Controller (Mode 2) LEFT STICK	Operation
	Quickly Rotate (YAW) the drone two full turns clockwise to command the AUX Channel to turn ON. Quickly Rotate (YAW) the drone again two full turns clockwise to command the AUX Channel to turn OFF.
	

### Operation Mode 2 – Drone Remote Controller C1/C2 Button and/or DJI App

Note: Use the DJI App to assign C1 or C2 button to Turn On/Off front LEDs

Remote Controller C1 / C2 Button	Operation
	Press C1 or C2 three times in quick succession (while maintaining about 0.5-1 second between each press) to command the AUX Channel to turn ON. Press C1 or C2 three times again in quick (while maintaining about 0.5-1 second between each press) to command the AUX Channel to turn OFF.
DJI App	Operation
Settings – Main Controller Settings – Advanced Settings 	In the App menu switch the drone's front LEDs ON, then OFF and then back ON or OFF, then ON and then OFF. (Total of one ON-OFF-ON or OFF-ON-OFF cycle) to simulate the operation of the C1 or C2 buttons on the drone's remote controller (see above). Maintain about 0.5-1 second idle duration between each switch operation.

### Operation Mode 3 – Manual – FUNC button on DSH unit

DSH Release & Drop unit	Operation
	Press three times the device's FUNC button to simulate the operation of the C1 or C2 buttons on the drone's remote controller (see above). Maintain about 0.5-1 second idle duration between each operation of the FUNC button.

**IMPORTANT NOTE:** At the end of each operation wait 3 seconds for the execution your command and before the initiation of the next command (False Command Avoidance Algorithm (FCAA)).

